

产品特点 Introduction

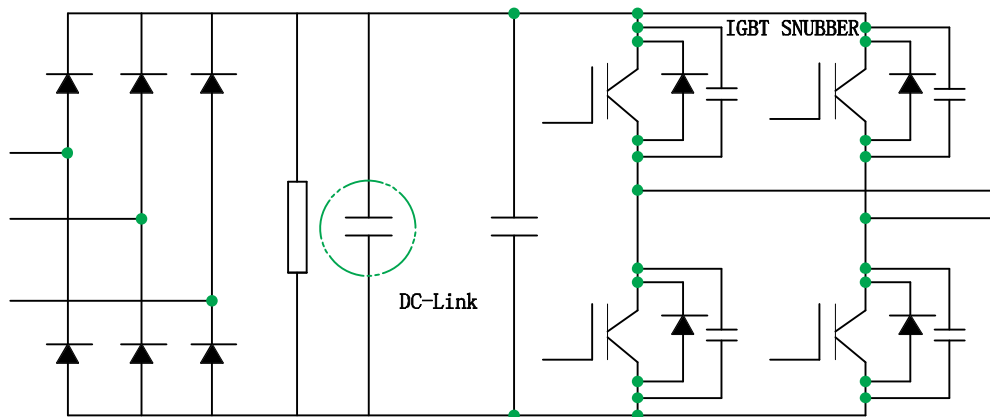
- ◆ 圆柱形铝外壳，干式封装；
Cylindrical aluminum shell, dry-type package;
- ◆ 铜端子引出，塑料定位盖绝缘，安装简单方便；
Copper screw leads, insulated plastic cover positioning, easy installation;
- ◆ 可承受高纹波电流；
High Irms rating;
- ◆ 可承受高的峰值电流；
High \hat{I} rating;
- ◆ 自感低；
Low self-inductance;
- ◆ 可靠性高、寿命长；
High reliability and life expectancy;
- ◆ 具有自愈性；
With self-healing;
- ◆ 非极性介质。
Non-polar.

应用领域 Applications

- ◆ 大功率变频器；
DC-linking and DC-filtering in frequency converter;
- ◆ 风电变频器、光伏逆变器；
DC-linking wind and solar power converter;
- ◆ 中频逆变焊机；
DC-linking in PV invert welder;
- ◆ UPS、SVG、APF；
UPS、SVG、APF system;
- ◆ 电力机车及混合动力机车；
EV/HEV;
- ◆ 其他大电流高电压需求场合，替代铝电解电容器。
Alternating aluminum electrolytic capacitors (higher voltage, current).

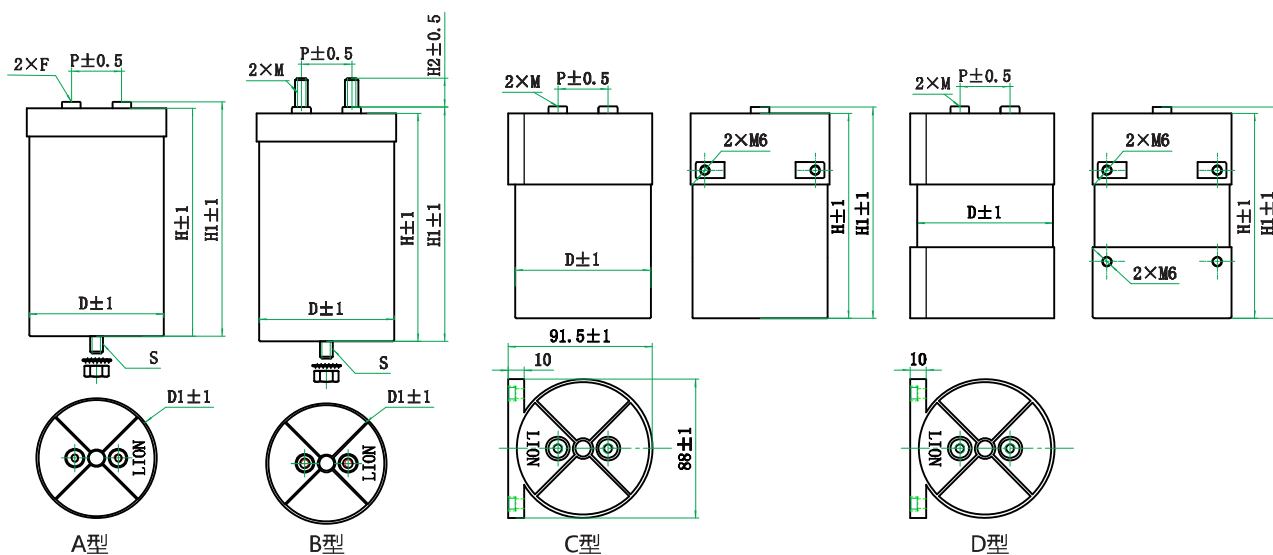
技术参数 Parameter

额定电压	U_N	600Vdc ~ 4000Vdc
标称电容量	C_N	22 μ F ~ 5600 μ F
容量等级	Tolerance	$\pm 5\%$ 、 $\pm 10\%$
极间耐压	U_{t-t}	$1.5U_{NDC}$ (10s)
极壳耐压	U_{t-c}	$2U_i+2000$ (10s)
极间绝缘电阻	Insulation resistance	$RC \geq 10000s$ (500V)
损耗角正切	$\tan \delta$	≤ 0.0020 (100Hz)
热点温度	θ_{hs}	70°C
运行环境温度	Operating Temperature	-40°C ~ +70°C
储存温度	Storage Temperature	-40°C ~ +85°C
阻燃等级	Flame Retardation	UL94 V-0
最大电极扭矩	Torque of terminals	M6: 10N · m, M8: 12N · m
海拔高度	Altitude	$\leq 2000m$
预期寿命	Life expectancy	100 000h (70°C、 U_N 、 $\Delta C/C \leq \pm 3\%$)
参考标准	Reference standards	IEC 61071、GB/T 17702





外形图 Outline Drawing



名称	符号	规格
引出端子	F	M6 ∇ 10, M8 ∇ 12
引出螺栓	M	M8 \times 16
接地螺栓	S	M12 \times 16, M16 \times 25

选型表 Specifications table

C _N μF	I _{max} A			İ A	İ _s kA	ESR mΩ 1kHz	L _s nH 1MHz	R _{TH} K/W	D mm	H mm	H1 mm	P mm	Weight kg	Part No.
	45°C	55°C	60°C											
U_N=600Vdc U_S=900Vdc U_{LC}=4 000Vac														
470	82	70	59	4082	20.4	1.0	40	1.6	76	96	101	32	0.6	X0600D00470uJN3**19
560	98	84	70	4864	24.3	0.9	40	1.8	86	96	101	32	0.8	X0600D00560uJN3**19
680	59	48	41	2947	14.7	1.3	50	3.3	86	103	108	32	0.7	X0600D00680uJN3**19
820	77	66	55	3811	19.1	1.5	45	1.2	76	146	151	32	0.8	X0600D00820uJN3**19
1000	97	83	69	4808	24.0	1.3	40	1.3	86	155	160	32	1.1	X0600D01000uJN3**19
1200	100	91	85	5017	25.1	1.3	40	1.2	86	180	185	32	1.3	X0600D01200uJN3**19
1500	100	93	87	5152	25.8	1.4	45	1.0	86	224	229	32	1.6	X0600D01500uJN3**19
1800	100	100	100	7275	36.4	1.0	45	2.0	96	180	185	45	1.6	X0600D01800uJN3**19
2200	100	100	97	5761	28.8	1.6	50	1.0	86	260	265	32	1.8	X0600D02200uJN3**19
2700	100	100	100	9163	45.8	0.9	50	2.9	116	200	205	50	2.6	X0600D02700uJN3**19
3300	100	100	100	9364	46.8	1.0	55	2.6	116	230	235	50	2.9	X0600D03300uJN3**19
3900	100	100	100	9508	47.5	1.0	55	2.4	116	260	265	50	3.2	X0600D03900uJN3**19
4700	100	100	100	14042	70.2	0.7	55	4.0	136	225	230	50	4.0	X0600D04700uJN3**19
5600	100	100	100	13197	66.0	0.9	55	3.5	136	265	270	50	4.6	X0600D05600uJN3**19
U_N=800Vdc U_S=1200Vdc U_{LC}=4 000Vac														
390	50	41	35	2500	12.5	1.2	40	4.8	86	96	101	32	0.7	X0800D00390uJN3**19
470	52	42	36	2557	12.8	1.4	40	4.2	86	96	101	32	0.7	X0800D00470uJN3**19
560	63	54	45	3142	15.7	1.7	45	1.5	76	146	151	32	0.8	X0800D00560uJN3**19
680	84	72	60	4189	20.9	1.3	40	1.7	86	136	141	32	1.0	X0800D00680uJN3**19
820	92	79	66	4600	23.0	1.3	40	1.4	86	155	160	32	1.1	X0800D00820uJN3**19
1000	98	88	82	4878	24.4	1.3	40	1.2	86	180	185	32	1.3	X0800D01000uJN3**19
1200	97	87	81	4808	24.0	1.5	45	1.1	86	224	229	32	1.6	X0800D01200uJN3**19
1500	95	86	80	4740	23.7	1.8	50	0.9	86	260	265	32	1.8	X0800D01500uJN3**19
1800	100	100	100	7902	39.5	0.9	50	2.8	116	180	185	50	2.4	X0800D01800uJN3**19
2200	100	100	100	7933	39.7	1.0	55	2.5	116	230	235	50	3.0	X0800D02200uJN3**19
2700	100	100	100	7679	38.4	1.2	55	2.1	116	260	265	50	3.2	X0800D02700uJN3**19
3300	100	100	100	11900	59.5	0.8	55	3.7	136	225	230	50	4.0	X0800D03300uJN3**19
3900	100	100	100	11092	55.5	0.9	55	3.2	136	265	270	50	4.5	X0800D03900uJN3**19
4700	100	100	100	11036	55.2	1.1	60	2.8	136	310	315	50	5.2	X0800D04700uJN3**19
U_N=900Vdc U_S=1350Vdc U_{LC}=4 000Vac														
330	77	66	55	3822	19.1	1.0	40	2.6	86	96	101	32	0.8	X0900D00330uJN3**19
390	80	69	57	3971	19.9	1.0	40	2.3	86	103	108	32	0.8	X0900D00390uJN3**19
470	61	52	44	3013	15.1	1.8	45	1.6	76	146	151	32	0.8	X0900D00470uJN3**19
560	75	65	54	3745	18.7	1.4	40	1.9	86	136	141	32	1.0	X0900D00560uJN3**19
680	83	71	60	4142	20.7	1.4	40	1.6	86	155	160	32	1.1	X0900D00680uJN3**19
820	87	79	73	4343	21.7	1.4	40	1.4	86	180	185	32	1.3	X0900D00820uJN3**19
1000	100	96	89	5296	26.5	1.2	45	1.6	96	180	185	45	1.7	X0900D01000uJN3**19
1200	83	75	70	4118	20.6	2.0	50	1.1	86	260	265	32	1.8	X0900D01200uJN3**19
1500	100	100	100	7149	35.7	1.0	50	2.6	116	180	185	50	2.4	X0900D01500uJN3**19
1800	100	100	100	7101	35.5	1.1	55	2.3	116	230	235	50	2.9	X0900D01800uJN3**19
2200	100	100	100	7151	35.8	1.2	55	2.0	116	260	265	50	3.2	X0900D02200uJN3**19
2700	100	100	100	10571	52.9	0.9	55	3.5	136	225	230	50	4.0	X0900D02700uJN3**19
3300	100	100	100	10190	51.0	1.0	55	3.0	136	265	270	50	4.5	X0900D03300uJN3**19
3900	100	100	100	9942	49.7	1.1	60	2.6	136	310	315	50	5.2	X0900D03900uJN3**19
U_N=1000Vdc U_S=1500Vdc U_{LC}=4 000Vac														
270	39	32	27	1918	19.1	1.7	50	4.4	86	96	101	32	0.7	X1000D00270uJN3**19
330	49	42	35	2424	19.9	2.1	45	2.1	76	146	151	32	0.8	X1000D00330uJN3**19
390	70	60	50	3500	15.1	1.3	40	2.3	86	136	141	32	1.0	X1000D00390uJN3**19
470	70	60	50	3452	18.7	1.6	40	2.0	86	155	160	32	1.1	X1000D00470uJN3**19
560	72	65	61	3590	20.7	1.6	45	1.8	86	180	185	32	1.3	X1000D00560uJN3**19
680	72	65	60	3567	21.7	1.9	45	1.6	86	224	229	32	1.6	X1000D00680uJN3**19
820	87	78	73	4301	26.5	1.6	45	1.7	96	225	230	45	2.0	X1000D00820uJN3**19
1000	79	71	67	3938	20.6	2.1	50	1.2	86	260	265	32	1.8	X1000D01000uJN3**19
1200	100	100	100	6231	35.7	1.1	50	2.3	116	200	205	50	2.6	X1000D01200uJN3**19
1500	100	100	100	6491	35.5	1.2	55	2.1	116	230	235	50	2.9	X1000D01500uJN3**19
1800	100	100	100	8497	35.8	1.0	55	3.1	136	225	230	50	4.0	X1000D01800uJN3**19
2200	100	100	100	6681	52.9	1.1	55	2.6	136	240	245	50	4.0	X1000D02200uJN3**19
2700	100	100	100	9347	51.0	1.1	55	2.8	136	280	285	50	4.7	X1000D02700uJN3**19
3300	100	100	100	9019	49.7	1.3	65	2.3	136	345	350	50	5.6	X1000D03300uJN3**19

选型表 Specifications table

C _N μF	I _{max} A			Î A	Î _s kA	ESR mΩ 1kHz	L _s nH 1MHz	R _{TH} K/W	D mm	H mm	H1 mm	P mm	Weight kg	Part No.
	45°C	55°C	60°C											
U_N=1100Vdc U_S=1650Vdc U_{i,c}=4 000Vac														
180	28	23	19	1364	9.6	2.2	40	2.3	76	96	101	32	0.5	X1200D00180uJN3**19
220	37	30	25	1806	12.1	1.6	50	4.5	86	96	101	32	0.7	X1200D00220uJN3**19
270	43	37	31	2115	17.5	2.3	50	2.1	76	146	151	32	0.8	X1200D00270uJN3**19
330	64	55	46	3159	17.3	1.4	40	2.6	86	136	141	32	1.0	X1200D00330uJN3**19
390	62	53	44	3055	18.0	1.7	40	2.3	86	155	160	32	1.1	X1200D00390uJN3**19
470	65	58	54	3214	17.8	1.7	40	2.1	86	180	185	32	1.3	X1200D00470uJN3**19
560	74	67	62	3670	21.5	1.6	45	1.8	86	180	185	32	1.3	X1200D00560uJN3**19
680	72	65	60	3563	19.7	1.9	45	1.5	86	224	229	32	1.6	X1200D00680uJN3**19
820	73	65	61	3605	31.2	2.2	50	1.3	86	260	265	32	1.8	X1200D00820uJN3**19
1000	88	85	80	4396	32.5	1.2	50	2.6	116	180	185	50	2.2	X1200D01000uJN3**19
1200	100	100	98	5780	42.5	1.3	55	2.0	116	230	235	50	2.9	X1200D01200uJN3**19
1500	100	100	100	5935	33.4	1.4	55	1.8	116	260	265	50	3.2	X1200D01500uJN3**19
1800	100	100	100	8686	46.7	0.9	55	3.2	136	225	230	50	4.0	X1200D01800uJN3**19
2200	100	100	100	8124	45.1	1.2	55	2.5	136	280	285	50	4.7	X1200D02200uJN3**19
2700	100	100	100	7871	9.6	1.4	65	2.1	136	345	350	50	5.7	X1200D02700uJN3**19
U_N=1200Vdc U_S=1800Vdc U_{i,c}=4 000Vac														
150	45	39	33	2244	6.8	1.4	40	3.6	76	96	101	32	0.6	X1200D00150uJN3**19
180	37	30	26	1847	9.0	1.4	50	5.2	86	96	101	32	0.7	X1200D00180uJN3**19
220	33	27	23	1612	10.6	2.0	50	3.6	86	103	108	32	0.7	X1200D00220uJN3**19
270	45	38	32	2203	15.8	2.2	50	2.2	76	146	151	32	0.8	X1200D00270uJN3**19
330	60	51	43	2962	15.3	1.6	40	2.6	86	136	141	32	1.0	X1200D00330uJN3**19
390	64	55	46	3182	16.1	1.7	40	2.2	86	155	160	32	1.1	X1200D00390uJN3**19
470	61	52	44	3013	18.4	2.1	40	2.0	86	180	185	32	1.3	X1200D00470uJN3**19
560	80	72	68	3989	17.8	1.5	45	2.1	96	180	185	45	1.7	X1200D00560uJN3**19
680	80	72	67	3963	18.0	1.7	45	1.9	96	225	230	45	2.0	X1200D00680uJN3**19
820	100	94	89	5257	22.0	1.1	50	2.2	116	180	185	50	2.4	X1200D00820uJN3**19
1000	100	100	98	5770	28.9	1.1	50	2.2	116	200	205	50	2.6	X1200D01000uJN3**19
1200	100	100	98	5770	29.7	1.3	55	1.9	116	230	235	50	2.9	X1200D01200uJN3**19
1500	100	100	100	7868	43.4	1.0	55	3.0	136	225	230	50	4.0	X1200D01500uJN3**19
1800	100	100	100	6073	40.6	1.2	55	2.5	136	240	245	50	3.9	X1200D01800uJN3**19
2200	100	100	100	7467	39.4	1.4	60	2.2	136	310	315	50	5.2	X1200D02200uJN3**19
U_N=1400Vdc U_S=2100Vdc U_{i,c}=4 000Vac														
100	36	31	26	1795	9.0	1.6	40	3.0	76	96	101	32	0.6	X1400D00100uJN3**19
120	30	24	21	1477	7.4	1.7	50	4.4	86	96	101	32	0.7	X1400D00120uJN3**19
150	54	47	39	2693	13.5	1.2	40	4.2	86	96	101	32	0.8	X1400D00150uJN3**19
180	36	31	26	1763	8.8	2.7	45	1.8	76	146	151	32	0.8	X1400D00180uJN3**19
220	48	41	34	2370	11.9	2.0	40	3.4	86	136	141	32	1.0	X1400D00220uJN3**19
270	53	46	38	2644	13.2	1.9	40	2.8	86	155	160	32	1.1	X1400D00270uJN3**19
330	51	44	37	2539	12.7	2.4	40	2.4	86	180	185	32	1.3	X1400D00330uJN3**19
390	55	50	46	2728	13.6	2.3	45	2.2	86	225	230	32	1.6	X1400D00390uJN3**19
470	66	60	56	3287	16.4	2.0	45	2.3	96	225	230	45	2.0	X1400D00470uJN3**19
560	87	77	73	4308	21.5	1.3	50	2.6	116	180	185	50	2.4	X1400D00560uJN3**19
680	95	84	80	4708	23.5	1.3	50	2.2	116	200	205	50	2.6	X1400D00680uJN3**19
820	95	85	80	4731	23.7	1.5	55	1.9	116	230	235	50	2.9	X1400D00820uJN3**19
1000	100	100	100	6294	31.5	1.1	55	2.6	136	225	230	50	4.0	X1400D01000uJN3**19
1200	100	100	100	6000	30.0	1.5	55	2.0	136	280	285	50	4.7	X1400D01200uJN3**19
1500	100	100	100	6415	32.1	1.5	60	2.0	136	310	315	50	5.1	X1400D01500uJN3**19
1800	100	100	100	6559	32.8	1.6	65	1.8	136	345	350	50	5.7	X1400D01800uJN3**19
U_N=1600Vdc U_S=2400Vdc U_{i,c}=5 000Vac														
100	45	38	32	2205	11.0	1.4	40	5.5	86	96	101	32	0.8	X1600D00100uJN3**19
120	32	27	23	1555	7.8	2.7	45	1.8	76	146	151	32	0.8	X1600D00120uJN3**19
150	44	38	31	2167	10.8	1.9	40	3.9	86	136	141	32	1.0	X1600D00150uJN3**19
180	43	37	31	2114	10.6	2.3	40	3.3	86	155	160	32	1.1	X1600D00180uJN3**19
220	46	41	39	2270	11.4	2.2	45	3.3	86	180	185	32	1.3	X1600D00220uJN3**19
270	46	41	39	2265	11.3	2.6	45	2.8	86	224	229	32	1.6	X1600D00270uJN3**19
330	59	51	42	2940	14.7	2.1	45	2.7	96	180	185	45	1.5	X1600D00330uJN3**19
390	61	55	51	3036	15.2	2.2	50	2.5	96	225	230	45	2.0	X1600D00390uJN3**19
470	62	60	56	3079	15.4	1.6	50	4.2	116	180	185	50	2.2	X1600D00470uJN3**19
560	88	84	79	4359	21.8	1.1	55	3.7	136	225	230	50	4.2	X1600D00560uJN3**19
680	81	72	68	4009	20.0	1.9	55	2.1	116	260	265	50	3.2	X1600D00680uJN3**19
820	100	100	100	5903	29.5	1.2	55	2.5	136	225	230	50	4.0	X1600D00820uJN3**19
1000	100	98	93	5495	27.5	1.5	55	1.9	136	280	285	50	4.8	X1600D01000uJN3**19
1200	100	100	99	5804	29.0	1.6	60	1.8	136	310	315	50	5.1	X1600D01200uJN3**19

选型表 Specifications table

C _N μF	I _{max} A			Î A	Î _s kA	ESR mΩ 1kHz	Ls nH 1MHz	R _{TH} K/W	D mm	H mm	H1 mm	P mm	Weight kg	Part No.
	45°C	55°C	60°C											
U_N=1800Vdc U_S=2700Vdc U_{Lc}=5 000Vac														
100	27	24	20	1342	6.7	3.3	45	1.5	76	146	151	32	0.8	X1800D00100uJN3**19
120	40	34	29	1981	9.9	2.0	40	3.7	86	136	141	32	1.0	X1800D00120uJN3**19
150	39	33	28	1924	9.6	2.5	40	2.9	86	155	160	32	1.1	X1800D00150uJN3**19
180	43	39	36	2123	10.6	2.3	45	3.2	86	180	185	32	1.3	X1800D00180uJN3**19
220	43	38	36	2109	10.5	2.8	45	2.6	86	224	229	32	1.6	X1800D00220uJN3**19
270	52	47	44	2589	12.9	2.4	45	3.2	96	225	230	45	2.0	X1800D00270uJN3**19
330	71	63	60	3502	17.5	1.5	50	3.5	116	180	185	50	2.4	X1800D00330uJN3**19
390	68	60	57	3365	16.8	1.8	50	3.1	116	230	235	50	3.0	X1800D00390uJN3**19
470	73	65	62	3616	18.1	1.8	55	2.7	116	230	235	50	2.9	X1800D00470uJN3**19
500	68	60	57	3369	16.8	2.1	55	2.6	116	260	265	50	3.2	X1800D00500uJN3**19
560	97	86	82	4832	24.2	1.3	55	2.4	136	225	230	50	4.0	X1800D00560uJN3**19
680	75	72	68	3730	18.7	1.7	55	3.1	136	240	245	50	4.0	X1800D00680uJN3**19
820	100	93	88	5180	25.9	1.5	60	2.0	136	265	270	50	4.5	X1800D00820uJN3**19
1000	99	88	84	4937	24.7	2.0	65	1.5	136	345	350	50	5.7	X1800D01000uJN3**19
U_N=2100Vdc U_S=3150Vdc U_{Lc}=5 000Vac														
68	19	15	13	917	4.6	3.2	50	2.3	86	103	108	32	0.7	X2100D00068uJN3**19
82	25	22	18	1238	6.2	3.6	45	1.4	76	146	151	32	0.8	X2100D00082uJN3**19
100	34	29	24	1666	8.3	2.5	40	2.9	86	136	141	32	1.0	X2100D00100uJN3**19
120	35	30	25	1731	8.7	2.8	40	2.7	86	155	160	32	1.1	X2100D00120uJN3**19
150	36	31	26	1769	8.8	3.2	40	2.3	86	180	185	32	1.2	X2100D00150uJN3**19
180	38	34	32	1855	9.3	3.3	45	2.3	86	224	229	32	1.6	X2100D00180uJN3**19
220	38	34	32	1853	9.3	3.9	50	1.9	86	260	265	32	1.8	X2100D00220uJN3**19
270	65	58	55	3223	16.1	1.6	50	3.9	116	180	185	50	2.4	X2100D00270uJN3**19
330	65	57	55	3203	16.0	1.8	55	3.3	116	230	235	50	2.9	X2100D00330uJN3**19
390	60	53	50	2957	14.8	2.4	55	3.0	116	260	265	50	3.2	X2100D00390uJN3**19
470	92	82	78	4562	22.8	1.4	55	2.6	136	225	230	50	4.0	X2100D00470uJN3**19
560	85	76	72	4245	21.2	1.8	55	2.3	136	265	270	50	4.6	X2100D00560uJN3**19
680	85	76	72	4229	21.1	2.1	60	2.0	136	310	315	50	5.2	X2100D00680uJN3**19
820	92	81	77	4554	22.8	2.2	65	1.7	136	345	350	50	5.6	X2100D00820uJN3**19
U_N=2400Vdc U_S=3600Vdc U_{Lc}=5 000Vac														
56	33	28	24	1622	8.1	1.8	45	4.1	86	103	108	32	0.8	X2400D00056uJN3**19
68	23	20	17	1141	5.7	3.8	45	1.3	76	146	151	32	0.8	X2400D00068uJN3**19
82	31	27	22	1518	7.6	2.7	40	2.7	86	136	141	32	1.0	X2400D00082uJN3**19
100	33	28	23	1603	8.0	3.0	40	2.5	86	155	160	32	1.1	X2400D00100uJN3**19
120	32	27	23	1573	7.9	3.6	45	2.1	86	180	185	32	1.2	X2400D00120uJN3**19
150	35	31	29	1718	8.6	3.5	45	2.1	86	224	229	32	1.6	X2400D00150uJN3**19
180	44	39	37	2157	10.8	2.8	45	3.6	96	225	230	45	2.0	X2400D00180uJN3**19
220	42	40	38	2059	10.3	2.1	50	5.8	116	180	185	50	2.2	X2400D00220uJN3**19
270	59	52	50	2912	14.6	2.0	50	3.7	116	230	235	50	3.0	X2400D00270uJN3**19
330	56	50	47	2780	13.9	2.5	55	3.2	116	260	265	50	3.2	X2400D00330uJN3**19
390	81	72	68	4018	20.1	1.6	55	2.9	136	225	230	50	3.9	X2400D00390uJN3**19
470	80	71	67	3959	19.8	1.9	55	2.5	136	265	270	50	4.5	X2400D00470uJN3**19
560	78	69	66	3870	19.4	2.2	60	2.2	136	310	315	50	5.2	X2400D00560uJN3**19
680	84	75	71	4196	21.0	2.3	60	1.8	136	345	350	50	5.6	X2400D00680uJN3**19
U_N=2800Vdc U_S=4200Vdc U_{Lc}=5 000Vac														
47	50	43	36	2470	12.4	1.6	45	1.9	86	136	141	32	1.0	X2800D00047uJN3**19
56	53	45	38	2623	13.1	1.7	40	1.6	86	155	160	32	1.1	X2800D00056uJN3**19
68	49	42	35	2402	12.0	2.3	45	1.4	86	180	185	32	1.3	X2800D00068uJN3**19
82	54	49	46	2685	13.4	2.1	45	1.3	86	224	229	32	1.6	X2800D00082uJN3**19
100	67	61	57	3345	16.7	1.7	45	1.3	96	225	230	45	2.0	X2800D00100uJN3**19
120	93	83	78	4616	23.1	1.1	50	1.4	116	180	185	50	2.4	X2800D00120uJN3**19
150	91	81	77	4516	22.6	1.3	50	1.2	116	230	235	50	3.0	X2800D00150uJN3**19
180	47	42	40	2330	11.7	2.4	55	4.9	116	230	235	50	3.0	X2800D00180uJN3**19
220	100	100	100	6623	33.1	1.0	55	1.5	136	225	230	50	4.0	X2800D00220uJN3**19
270	100	100	100	6129	30.6	1.3	55	1.2	136	265	270	50	4.6	X2800D00270uJN3**19
330	67	60	57	3336	16.7	2.2	55	3.1	136	265	270	50	4.5	X2800D00330uJN3**19
390	65	58	55	3234	16.2	2.6	55	2.8	136	310	315	50	5.2	X2800D00390uJN3**19
470	70	62	59	3481	17.4	2.7	65	2.3	136	345	350	50	5.6	X2800D00470uJN3**19

选型表 Specifications table

C _N μF	I _{max} A			Ī A	Ī _s kA	ESR mΩ 1kHz	L _s nH 1MHz	R _{TH} K/W	D mm	H mm	H1 mm	P mm	Weight kg	Part No.
	45°C	55°C	60°C											
U _N =3200Vdc U _S =4800Vdc U _{I-c} =8 000Vac														
39	43	37	31	2131	10.7	2.0	40	1.9	86	155	160	32	1.1	X3200D00039uJN3**19
47	47	43	40	2344	11.7	1.9	40	1.8	86	180	185	32	1.3	X3200D00047uJN3**19
56	44	40	37	2186	10.9	2.4	40	1.5	86	224	229	32	1.6	X3200D00056uJN3**19
68	40	35	29	1987	9.9	3.6	45	1.0	86	224	229	32	1.5	X3200D00068uJN3**19
82	49	44	41	2413	12.1	2.8	45	1.1	86	260	265	32	1.8	X3200D00082uJN3**19
100	59	57	53	2943	14.7	1.5	50	2.4	116	180	185	50	2.2	X3200D00100uJN3**19
120	82	73	70	4094	20.5	1.4	55	1.4	116	230	235	50	3.0	X3200D00120uJN3**19
150	80	71	68	3973	19.9	1.7	55	1.2	116	260	265	50	3.2	X3200D00150uJN3**19
180	100	100	100	5885	29.4	1.1	55	1.4	136	225	230	50	4.0	X3200D00180uJN3**19
220	100	96	91	5385	26.9	1.4	55	1.0	136	280	285	50	4.8	X3200D00220uJN3**19
270	100	100	97	5739	28.7	1.5	55	1.0	136	310	315	50	5.1	X3200D00270uJN3**19
330	100	100	100	6022	30.1	1.6	55	0.9	136	345	350	50	5.6	X3200D00330uJN3**19
U _N =3600Vdc U _S =5400Vdc U _{I-c} =8 000Vac														
33	38	32	27	1859	9.3	2.4	40	1.5	86	155	160	32	1.1	X3600D00033uJN3**19
39	37	32	27	1837	9.2	2.8	45	1.3	86	180	185	32	1.3	X3600D00039uJN3**19
47	42	38	36	2096	10.5	2.5	45	1.5	86	224	229	32	1.6	X3600D00047uJN3**19
56	50	43	36	2472	12.4	2.2	45	1.8	96	180	185	45	1.6	X3600D00056uJN3**19
68	43	39	37	2144	10.7	3.1	50	1.2	86	260	265	32	1.8	X3600D00068uJN3**19
82	66	59	56	3291	16.5	1.6	50	1.8	116	230	235	50	3.0	X3600D00082uJN3**19
100	76	67	64	3763	18.8	1.4	55	1.5	116	230	235	50	2.9	X3600D00100uJN3**19
120	97	86	82	4817	24.1	1.2	55	1.3	136	225	230	50	4.0	X3600D00120uJN3**19
150	72	69	65	3578	17.9	1.7	55	1.8	136	240	245	50	4.0	X3600D00150uJN3**19
180	100	91	87	5108	25.5	1.4	55	1.1	136	265	270	50	4.6	X3600D00180uJN3**19
U _N =4000Vdc U _S =6000Vdc U _{I-c} =8 000Vac														
22	34	30	25	1696	8.5	2.2	40	1.7	86	136	141	32	1.0	X4000D00022uJN3**19
27	34	29	24	1673	8.4	2.6	40	1.4	86	155	160	32	1.1	X4000D00027uJN3**19
33	35	30	25	1748	8.7	3.0	40	1.2	86	180	185	32	1.2	X4000D00033uJN3**19
39	39	35	33	1914	9.6	2.7	45	1.4	86	224	229	32	1.6	X4000D00039uJN3**19
47	36	33	30	1779	8.9	3.7	50	1.0	86	260	265	32	1.8	X4000D00047uJN3**19
56	64	57	54	3159	15.8	1.4	45	2.3	116	180	185	50	2.4	X4000D00056uJN3**19
68	62	55	52	3071	15.4	1.7	55	2.0	116	230	235	50	3.0	X4000D00068uJN3**19
82	66	59	56	3266	16.3	1.7	55	1.7	116	230	235	50	2.9	X4000D00082uJN3**19
100	89	79	75	4415	22.1	1.3	55	1.5	136	225	230	50	4.0	X4000D00100uJN3**19
120	65	62	58	3221	16.1	1.8	55	2.0	136	240	245	50	4.0	X4000D00120uJN3**19
150	82	73	70	4100	20.5	2.0	60	1.1	136	310	315	50	5.2	X4000D00150uJN3**19

注:

1. 以上为容量E12系列表

The above is the capacity E12 series table

2. 以上参数仅作参考，以实际规格书为准；

The above parameters for reference only, see the specification for details.

3. 若有特殊要求，可按客户要求定制。

If there are special requirements, it can be customized according to customer requirements.

4. 限于引出端的尺寸，该类型产品单只过电流不建议超出100A。

The single overcurrent of this type of product is not recommended to exceed 100A due to the size of the outgoing end

规格表 Specifications table

C_N μF	I_{max} A			\hat{I} A	\hat{I}_S kA	ESR mΩ 1kHz	L_s nH 1MHz	R_{TH} K/W	D1 mm	H mm	H1 mm	P mm	Weight kg	Part No.
	45°C	55°C	60°C											
$U_N=600Vdc \quad U_S=900Vdc \quad U_{L-c}=4\ 000Vac$														
600	97	97	69	4823	24.1	0.7	40	2.3	88	122	126	32	1.0	X0600D00600uJN34X19
600	92	92	66	4597	23.0	0.7	40	2.7	88	122	126	32	0.9	X0600D00600uJN34X19
1500	100	100	98	6176	30.9	0.7	45	3.6	116	180	185	50	2.2	X0600D01500uJN34J19
$U_N=700Vdc \quad U_S=1050Vdc \quad U_{L-c}=4\ 000Vac$														
420	86	73	61	4256	21.3	0.7	45	3.0	88	100	104	32	0.8	X0700D00420uJN34M19
480	91	78	65	4501	22.5	0.7	40	2.6	88	104	108	32	0.8	X0700D00480uJN34E19
1500	100	100	100	6851	34.3	0.7	50	3.6	116	158	163	50	2.0	X0700D01500uJN3**19
$U_N=800Vdc \quad U_S=1200Vdc \quad U_{L-c}=4\ 000Vac$														
500	83	75	70	4136	20.7	0.7	45	3.1	88	141	145	32	1.1	X0800D00500uJN3**19
500	100	88	73	5090	25.5	0.7	40	2.9	96	100	105	45	1.0	X0800D00500uJN3**19
550	100	89	78	4987	24.9	0.7	40	3.6	116	150	155	50	2.1	X0800D00550uJN3**19
550	85	73	61	4214	21.1	0.7	40	3.0	86	120	125	32	0.9	X0800D00550uJN3**19
850	100	100	83	5805	29.0	0.7	45	2.9	96	140	145	45	1.3	X0800D00850uJN3**19
1000	100	96	89	5296	26.5	0.8	45	2.4	96	180	185	45	1.7	X0800D01000uJN3**19
1000	100	100	96	6037	30.2	0.7	45	3.6	116	125	130	50	1.7	X0800D01000uJN3**19
1800	100	100	100	7101	35.5	0.7	55	3.5	116	230	235	50	2.9	X0800D01800uJN3**19
$U_N=900Vdc \quad U_S=1350Vdc \quad U_{L-c}=4\ 000Vac$														
380	84	72	60	4181	20.9	0.7	40	3.1	86	96	101	32	0.8	X0900D00380uJN3**19
510	80	69	57	3980	19.9	0.8	45	2.8	88	132	136	32	1.0	X0900D00510uJN3**19
1000	100	96	89	5296	26.5	0.8	45	2.4	96	180	185	45	1.7	X0900D01000uJN3**19
1000	87	79	74	4350	21.8	1.2	45	1.6	88	225	229	32	1.6	X0900D01000uJN3**19
1500	100	100	100	7149	35.7	0.7	50	3.6	116	180	185	50	2.4	X0900D01500uJN3**19
380	84	72	60	4181	20.9	0.7	40	3.1	86	96	101	32	0.8	X0900D00380uJN3**19
510	80	69	57	3980	19.9	0.8	45	2.8	88	132	136	32	1.0	X0900D00510uJN3**19
1000	100	96	89	5296	26.5	0.8	45	2.4	96	180	185	45	1.7	X0900D01000uJN3**19
1000	87	79	74	4350	21.8	1.2	45	1.6	88	225	229	32	1.6	X0900D01000uJN3**19
1500	100	100	100	7149	35.7	0.7	50	3.6	116	180	185	50	2.4	X0900D01500uJN3**19
$U_N=1000Vdc \quad U_S=1500Vdc \quad U_{L-c}=4\ 000Vac$														
290	75	64	54	3731	18.7	0.7	40	3.8	86	96	101	32	0.8	X1000D00290uJN3**19
520	100	93	84	5262	26.3	0.7	40	3.6	116	100	105	50	1.4	X1000D00520uJN3**19
600	89	76	63	4406	22.0	0.9	45	2.8	96	151	156	45	1.3	X1000D00600uJN3**19
720	93	84	78	4616	23.1	0.9	45	2.5	96	180	185	45	1.7	X1000D00720uJN3**19
750	100	97	87	5481	27.4	0.7	45	3.6	116	130	135	50	1.7	X1000D00750uJN3**19
800	99	89	83	4901	24.5	0.9	45	2.4	96	180	185	45	1.6	X1000D00800uJN3**19
1000	97	87	81	4808	24.0	1.2	50	1.8	96	230	235	45	2.0	X1000D01000uJN3**19
1200	100	100	97	6231	31.2	0.7	50	3.6	116	200	205	50	2.6	X1000D01200uJN3**19
1400	100	100	99	6315	31.6	0.7	55	3.4	116	230	235	50	3.0	X1000D01400uJN3**19
1800	100	100	100	6676	33.4	0.9	55	2.8	116	260	265	50	3.2	X1000D01800uJN3**19
$U_N=1100Vdc \quad U_S=1650Vdc \quad U_{L-c}=4\ 000Vac$														
170	49	42	35	2442	12.2	0.9	40	4.6	76	96	101	32	0.6	X1100D00170uJN3**19
240	45	35	30	2216	11.1	1.1	40	6.5	86	96	101	32	0.7	X1100D00240uJN3**19
270	61	52	44	3029	15.1	1.0	45	4.2	86	120	126	32	0.9	X1100D00270uJN3**19
300	47	41	34	2350	11.8	1.7	45	2.6	76	146	151	32	0.8	X1100D00300uJN3**19
300	65	56	47	3231	16.2	0.9	45	3.9	86	120	125	32	0.9	X1100D00300uJN3**19
300	41	32	28	2037	10.2	1.8	45	4.2	88	115	119	32	0.8	X1100D00300uJN3**19
320	51	40	34	2532	12.7	1.2	45	6.7	96	100	105	45	0.9	X1100D00320uJN3**19
330	44	34	29	2151	10.8	1.7	45	4.4	88	115	119	32	0.8	X1100D00330uJN3**19
360	96	84	76	4784	23.9	0.7	45	3.9	116	95	100	50	1.4	X1100D00360uJN3**19
400	49	38	33	2430	12.2	1.7	45	5.1	96	130	135	45	1.1	X1100D00400uJN3**19
400	56	6	43	2783	13.9	0.7	45	11.5	116	95	100	50	1.2	X1100D00400uJN3**19
420	45	35	30	2216	11.1	2.0	45	3.7	88	137	141	32	0.9	X1100D00420uJN3**19
420	73	63	52	3619	18.1	1.0	45	2.8	88	137	141	32	1.0	X1100D00420uJN3**19
420	56	6	44	2800	14.0	1.0	45	12.2	116	95	100	50	1.2	X1100D00420uJN3**19
450	56	6	43	2770	13.9	1.0	45	11.4	116	95	100	50	1.2	X1100D00450uJN3**19
480	64	55	46	3182	15.9	1.5	45	2.5	88	175	179	32	1.2	X1100D00480uJN3**19
500	67	57	48	3314	16.6	1.4	45	2.4	86	175	180	32	1.2	X1100D00500uJN3**19
500	73	66	61	3620	18.1	1.1	45	2.6	86	175	180	32	1.3	X1100D00500uJN3**19
560	66	59	55	3264	16.3	1.6	45	2.2	88	225	229	32	1.6	X1100D00560uJN3**19
680	73	66	62	3639	18.2	1.5	45	1.9	88	225	229	32	1.6	X1100D00680uJN3**19
1020	100	90	81	5112	25.6	0.8	50	3.1	116	180	185	50	2.2	X1100D01020uJN3**19
1020	100	96	84	5350	26.8	0.9	50	2.8	116	230	235	50	3.0	X1100D01020uJN3**19
1100	100	99	87	5539	27.7	0.8	50	2.9	116	230	235	50	3.0	X1100D01100uJN3**19

规格表 Specifications table

C _N μF	I _{max} A			Ĥ A	Ĥ _s kA	ESR mΩ 1kHz	L _s nH 1MHz	R _{TH} K/W	D1 mm	H mm	H1 mm	P mm	Weight kg	Part No.
	45°C	55°C	60°C											
U _N =1200Vdc U _S =1800Vdc U _{i-c} =4 000Vac														
280	42	33	28	2068	11.1	1.5	50	4.8	88	104	108	32	0.7	X1200D00280uJN3**19
300	45	35	30	2216	11.8	1.4	50	5.2	88	104	108	32	0.7	X1200D00300uJN3**19
300	47	41	34	2350	11.4	1.7	50	2.6	76	150	155	32	0.8	X1200D00300uJN3**19
350	46	36	31	2281	11.5	1.6	40	4.6	88	115	121	32	0.8	X1200D00350uJN3**19
360	47	40	33	2308	11.1	2.2	40	2.1	76	175	180	32	0.9	X1200D00360uJN3**19
420	45	35	30	2216	16.5	2.0	45	3.7	88	137	141	32	0.9	X1200D00420uJN3**19
420	66	57	47	3290	16.2	1.2	45	2.8	88	157	161	32	1.1	X1200D00420uJN3**19
450	65	56	47	3231	13.9	1.4	45	2.6	86	159	164	32	1.1	X1200D00450uJN3**19
450	56	6	43	2770	16.0	0.7	45	11.4	116	95	100	50	1.2	X1200D00450uJN3**19
500	65	55	46	3206	16.6	1.6	45	2.3	88	180	184	32	1.2	X1200D00500uJN3**19
500	67	57	48	3314	16.0	1.4	45	2.4	88	170	174	32	1.2	X1200D00500uJN3**19
500	70	58	54	3206	14.7	1.6	45	2.2	88	225	229	32	1.6	X1200D00500uJN3**19
600	59	54	50	4200	19.7	1.9	45	1.5	76	229	234	32	1.2	X1200D00600uJN3**19
600	76	71	67	4500	17.5	1.1	45	2.2	88	180	184	32	1.3	X1200D00600uJN3**19
600	70	63	59	4500	17.7	1.5	45	2.1	88	225	229	32	1.6	X1200D00600uJN3**19
660	71	64	60	4500	21.5	1.5	45	1.9	88	225	229	32	1.6	X1200D00660uJN3**19
700	87	74	62	4308	17.2	1.2	50	2.3	96	180	185	45	1.5	X1200D00700uJN3**19
720	69	60	50	3447	17.6	1.9	45	1.6	86	224	229	32	1.5	X1200D00720uJN3**19
800	71	64	60	3517	18.9	1.9	50	1.6	88	260	264	32	1.8	X1200D00800uJN3**19
800	76	69	64	3787	31.1	1.6	55	1.6	86	251	256	32	1.7	X1200D00800uJN3**19
850	100	100	99	6212	25.1	0.7	55	4.3	136	150	155	50	2.8	X1200D00850uJN3**19
1000	100	88	80	5011	28.9	0.8	55	3.0	116	180	185	50	2.2	X1200D01000uJN3**19
1200	100	100	90	5780	30.0	0.9	60	2.9	116	230	235	50	2.9	X1200D01200uJN3**19
1300	100	100	94	6000	29.7	0.9	60	2.9	116	230	235	50	2.9	X1200D01300uJN3**19
1500	100	100	93	5935	30.3	1.0	60	2.5	116	260	265	50	3.2	X1200D01500uJN3**19
1530	100	100	95	6053	11.1	1.0	60	2.5	116	260	265	50	3.2	X1200D01530uJN3**19
U _N =1300Vdc U _S =1950Vdc U _{i-c} =4 000Vac														
215	51	43	36	2509	11.7	1.5	40	4.1	88	141	145	32	1.0	X1300D00215uJN3**19
U _N =1400Vdc U _S =2100Vdc U _{i-c} =4 000Vac														
400	81	72	63	4039	10.1	0.8	50	4.5	116	165	170	50	2.2	X1400D00400uJN3**19
U _N =1500Vdc U _S =2250Vdc U _{i-c} =4 000Vac														
700	82	73	64	4097	5.9	1.4	60	2.6	116	260	265	50	3.2	X1500D00700uJN3**19
U _N =2000Vdc U _S =3000Vdc U _{i-c} =5 000Vac														
340	57	51	45	2843	8.4	2.1	60	3.7	116	260	265	50	3.2	X2000D00340uJN3**19
500	95	84	74	4701	9.4	1.0	60	3.5	136	225	230	50	4.0	X2000D00500uJN3**19
550	95	85	74	4733	8.6	1.1	60	3.1	136	230	235	50	4.0	X2000D00550uJN3**19
1000	100	17	100	8998	9.0	0.7	60	4.3	136	395	400	50	6.5	X2000D01000uJN3**19
U _N =3600Vdc U _S =5400Vdc U _{i-c} =5 000Vac														
180	48	42	38	2392	13.3	1.4	45	7.9	116	155	160	50	2.0	X2200D00180uJN3**19

注:

1.以上参数仅作参考,以实际规格书为准;

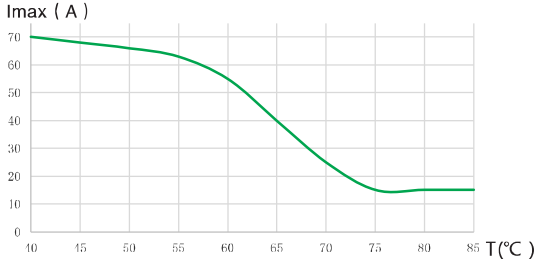
The above parameters for reference only, see the specification for details.

2.该规格表为我司批量生产过的规格,可能会有库存产品

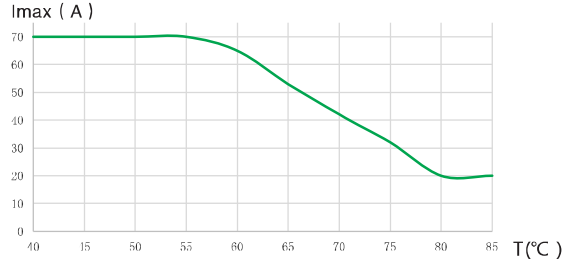
This specification sheet is the specification that our company has produced in batches, and there may be products in stock

电流温度曲线图 I_{max} VS Temperature

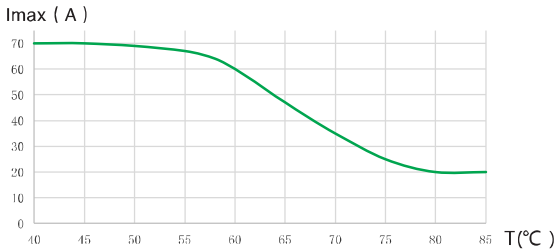
1100Vdc-170 μ F 电流温度曲线



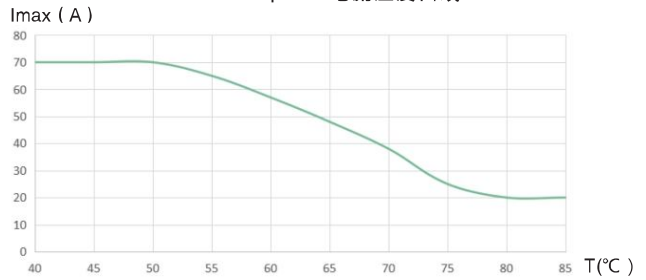
1100Vdc-270 μ F 电流温度曲线



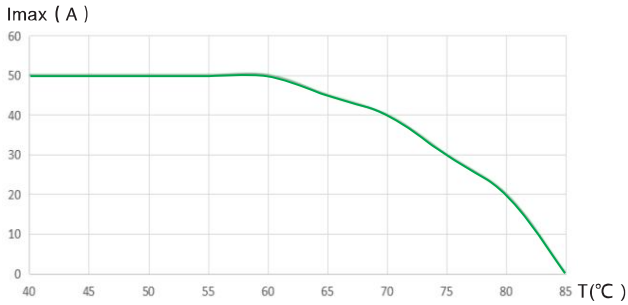
1100Vdc-300 μ F 电流温度曲线



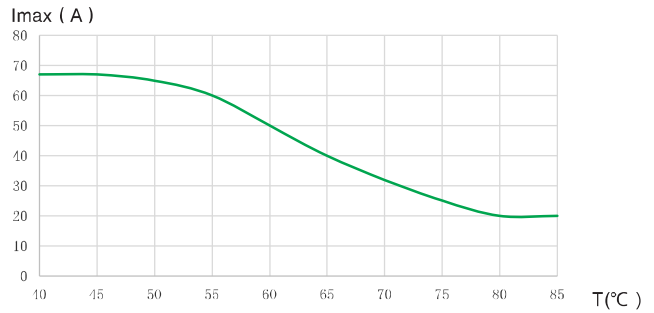
1100Vdc-420 μ F-B 电流温度曲线



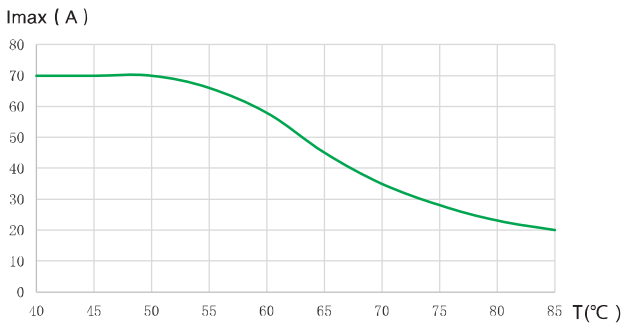
1100Vdc-420 μ F-A 电流温度曲线



1100Vdc-500 μ F 电流温度曲线



1100Vdc-680 μ F 电流运行温度曲线



1200Vdc-600 μ F 电流运行温度曲线

